

# General Specifications

Model FCOA  
Output Isolator

JUXTA

Model FCOA Output Isolator inputs 4~20mA signal and converts it into 4~20mA DC or 10~50mA DC current signal.

Input resistance is augmented at time of open so as to detect load open through input device.

Input & Output	
Input signal	4~20mA DC
Input resistance	Normal operation : Less than 250Ω (when 4~20mA DC output) Less than 750Ω (when 10~50mA DC output) Load open : More than 32kΩ
Internal voltage drop	Less than 5V DC (4~20mA DC output) Less than 14V DC (10~50mA DC output)
Allowable input voltage	Less than 40mA DC
Output signal	DC current signal
Standard Performance	
Accuracy rating	±0.1% of span (4~20mA DC output) ±0.3% of span (10~50mA DC output)
Response speed	10ms 63% response (10~90%)
Insulation resistance	More than 100MΩ (at 500V DC) between input~output~power supply
Withstand Voltage	1500V AC/minute between output~input~power supply 500V AC/minute between input~power supply
Ambient temperature & humidity	Normal operating condition : 0~50°C, 5~90%RH Operating limit : -10~60°C, 5~95%RH (no condensation) Transit & storing condition : -40~70°C, 5~95%RH
Power supply voltage	24V DC±10% (ripple content below 10%p~p)
Effect of power supply voltage fluctuation	Less than ±0.1% of span for fluctuation of 24V DC±10%
Effect of ambient temperature change	Less than ±0.2% of span for change of 10°C
Current dissipation	24V DC 60mA
Mounting, Shape & Accessories	
Materials	ABS plastic case
Boards	Both sides glass-epoxy
Mounting method	Rack, wall, DIN rail mounting
Connecting method	M4 screws terminal
External dimension	72x24x127mm (HxWxD)
Weight	130g
Accessories	Tag number label ... 1      Mounting block ....2 Mounting screw ISO M4 ...2

FCOA-A□\*B

MODEL \_\_\_\_\_

OUTPUT SPECS \_\_\_\_\_  
A : Current

INPUT \_\_\_\_\_  
A : 4~20mA DC

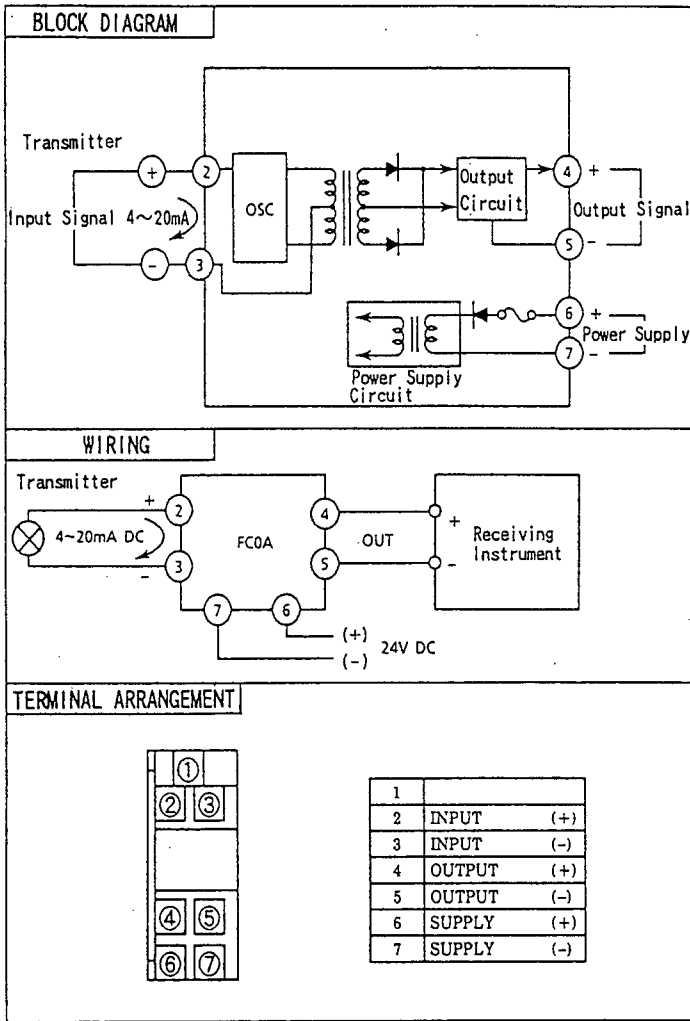
OUTPUT \_\_\_\_\_  
A : 4~20mA DC  
H : 10~50mA DC

POWER SUPPLY  
24V DC ±10%

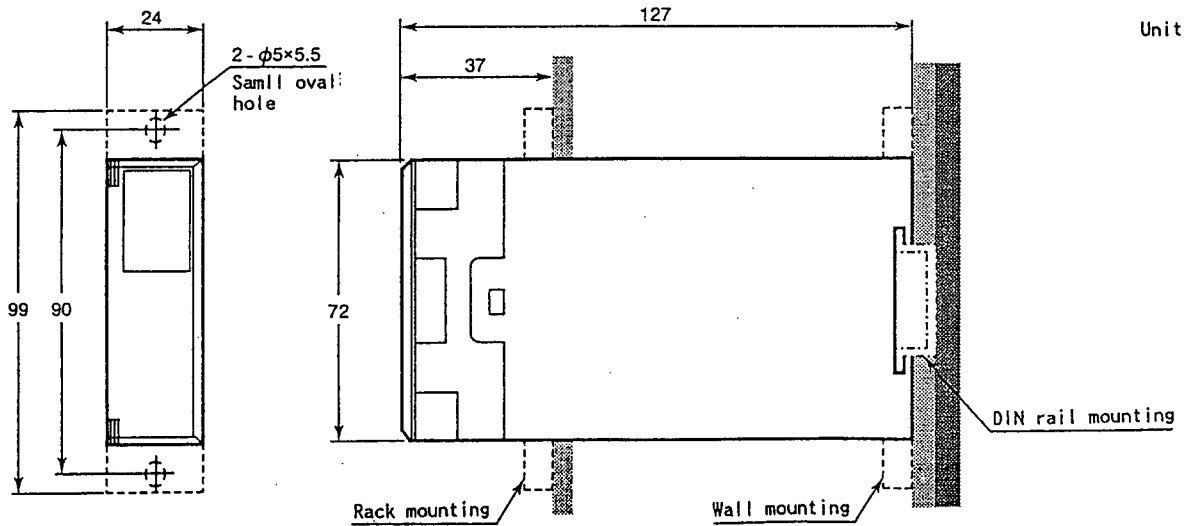
ORDERING INFORMATION  
(Example) Model Code : FCOA-AA\*B

OUTPUT RESISTANCE & PERMISSIBLE LOAD RESISTANCE

FCOA (DC Current Output Type)		
Output Signal	Output Resistance	Permissible Load Resistance
4~20mA DC	More than 50Ω	0~750Ω
10~50mA DC		0~220Ω



**EXTERNAL DIMENSIONS**



Subject to change without notice for grade up quality and performance